



Solenoid valve 2/2 way N.C. Direct acting - dampness-proof IP 67

21A1K0T15-X003

PRESENTATION:

Direct acting S.V. for interception of fluids compatible with the construction materials.

Minimum operational pressure is not required.

The materials used and the tests carried out ensure maximum reliability and duration.

USE: Automation, Refrigeration, Compressors, Heating

PIPES: subplate mounting

COIL: 8W - Ø 13
BDV 180°C (class H)

COIL HOUSING AND COIL FORMER MATERIAL ARE MADE BY 100% VIRGIN MATERIAL.

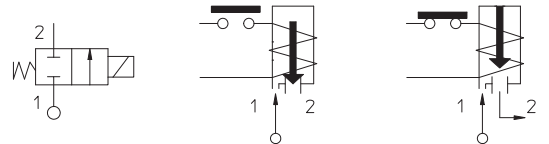
Max. allowable pressure (PS) 100 bar

Ambient temperature:

See coils catalogue page for its compatibility.



Gaskets	Temperature		Medium
T=PTFE (polytetrafluorethylen)	-40°C	+180°C	Air, water, steam, Mineral oils (2°E)



Pipe	Code	Max viscosity		Ø mm	Kv l/mn	Power watt	Pressure		
		cSt	°E				min bar	M.O.P.D. AC bar DC bar	
SUBPLATE MOUNTING	21A1K0T15-X003	12	~ 2	1,5	1,4	8	0	90	60

Note

For dampness-proof cup see catalogue page R453882/B+R453882/U | Available on request and with minimum quantities.

The "ODE" reserves the right to carry out technical and aesthetic modifications without prior notification.

05-11-2015

(Internal technical data sheet)

ODE

21A1K0T15-X003



ООО "АРМАШОП"

<https://armashop.ua/>

: info@armashop.ua

Тел.: (044) 490-55-57

Украина, г. Киев. ул. Здолбуновская, 7Д

MATERIALS:

Body	Brass - UNI EN 12165 CW617N
Armature tube	Stainless steel AISI series 300
Fixed core	Stainless steel AISI series 400
Plunger	Stainless steel AISI series 400
Phase displacement ring	Copper - Cu 99,9%
Spring	Stainless steel AISI series 300
Main seal	T=PTFE
Orifice: Insert slot	Stainless steel AISI series 300

On request:

Connector	Pg 9 o Pg 11
Connector conformity	ISO 4400

FEATURES:

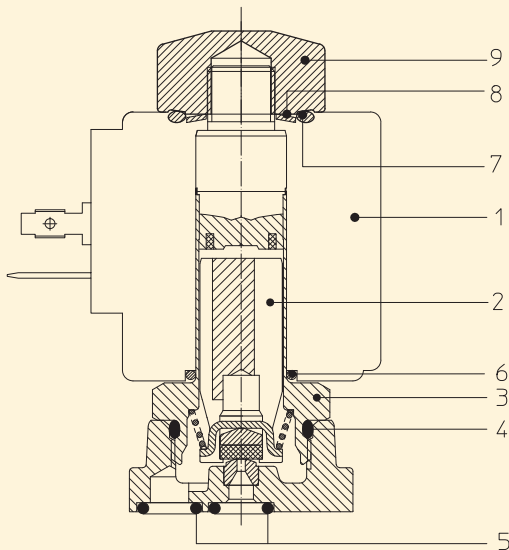
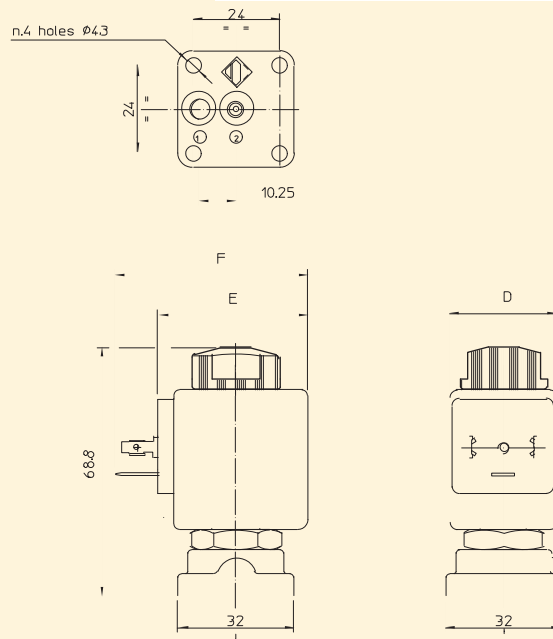
Electrical conformity	IEC 335
Protection degree	IP 67 EN 60529 (DIN 40050) with coil fitted by connector dedicated.

SPARE PARTS:

- Coil:**
See coils list
- Complete plunger:**
Code R450897
- Complete armature tube:**
Code R450603
- Gasket O-Ring:**
Code R990000/F
- Gasket:**
Code R450894

KIT:

KT130K730-FPGB=**2+3+4+6+7+8+9**

**DIMENSIONS:**

COIL TYPE	POWER ABSORPTION			DIMENSIONS		
	W ==	Hold VA ~	Inrush VA ~	D mm	E mm	F mm
B	8	14,5	25	30	42	54