



Solenoid valve 2/2 way N.C. Direct acting

21A3KV15

÷

21A2KV55

PRESENTATION:

Direct acting S.V. for interception of fluids compatible with the construction materials.

Minimum operational pressure is not required.

The materials used and the tests carried out ensure maximum reliability and duration.

USE: Automation
Heating

PIPES: G 1/8 - G 1/4

COILS: 8W - Ø 13 (1)
BDA - BDS - BSA 155°C (class F)
BDP 160°C (high temperature)
BDF 180°C (class H)
SDH 180°C (class H)
12W - Ø 13
UDA 155°C (class F)
14W - Ø 13
GDH 180°C (class H)
(1) Explosion-proof housing for coils with electrical connections EN 175301-803 on request.



Gaskets	Temperature		Medium
V=FKM (fluoroelastomer)	- 10°C	+140°C	Mineral oils (2°E), gasoline gas oil, fuel oils (7°E)
B=NBR (nitrile rubber)	- 10°C	+ 90°C	Air, inert gas, water
E=EPDM (ethylene-propylene)	- 10°C	+140°C	Water, steam

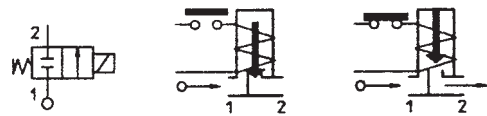
For seals other than FKM replace the letter "V" with the ones corresponding to the other seals. E.I. 21A2KE20.

Max. allowable pressure (PS) 40 bar

Environment temperature:

with coil class F and high temperature - 10°C + 60°C

with coil class H - 10°C + 80°C



Pipe ISO 228/1	Code	Max viscosity		Ø mm	Kv l/min	Power (watt)	Pressure				
		cSt	°E				min bar	M.O.P.D.			
								AC bar	DC bar		
G 1/8	21A3KV15	12	~ 2	1,5	1,4	8	0	30	18		
								22	16		
	21A3KV20	37	~ 5	2	2	12		35	30		
						14		14	9		
	21A3KV25	53	~ 7	2,5	3,2	8		30	25		
						12		10	6		
	21A3KV30	53	~ 7	3	4	8		25	18		
						12		25	20		
	21A3KV45	53	~ 7	4,5	6,5	8		5	2		
						12		12	7		
	G 1/4	21A2KV15	12	~ 2	1,5	1,4		8	0	30	18
										22	16
21A2KV20		37	~ 5	2	2	12	35	30			
						14	14	9			
21A2KV25		53	~ 7	2,5	3,2	8	30	25			
						12	10	6			
21A2KV30		53	~ 7	3	4	8	25	18			
						12	25	20			
21A2KV45		53	~ 7	4,5	6,5	8	5	2			
						12	12	7			
21A2KV55		53	~ 7	5,5	9	8	3	1			
						12	7	2,5			
						14	10	5			

Note Also available with brass body without lead.

The "ODE" reserves the right to carry out technical and aesthetic modifications without prior notification.

MATERIALS:

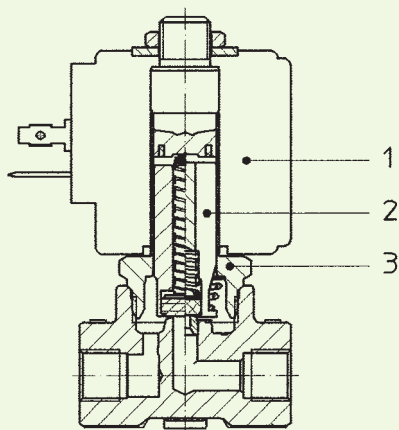
Body Brass - UNI EN 12165 CW617N
Armature tube Stainless steel AISI series 300
Fixed core Stainless steel AISI series 400
Plunger Stainless steel AISI series 400
Phase displacement ring Copper - Cu 99,9%
Spring Stainless steel AISI series 300
Seal Standard: V=FKM
 On request: B=NBR E=EPDM

Orifice:
 ≤ 3 mm **Insert slot** Stainless steel AISI series 300
 > 3 mm Brass - UNI EN 12165 CW617N

On request:
Connector Pg 9 or Pg 11
Connector conformity ISO 4400

FEATURES:

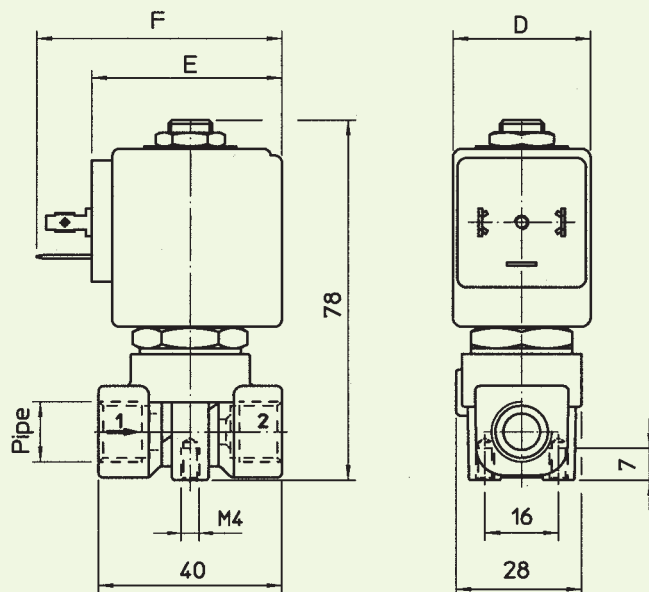
Electrical conformity IEC 335
Protection degree IP 65 EN 60529 (DIN 40050)
 with coil fitted by connector.

**SPARE PARTS:**

- 1. Coil:**
See coils list
- 2. Complete plunger:**
For orifice ≤ 3 mm
Code R450886/V
For orifice > 3 mm
Code R450898/V
- 3. Complete armature tube:**
Code R450606

KIT:

≤ 3 mm
 KT130KV30-A=2+3
 > 3 mm
 KT130KV55-A=2+3

DIMENSIONS:

Type	Pipe ISO 228/1
21A3KV	G 1/8
21A2KV	G 1/4

COIL W ==	POWER ABSORPTION		TYPE	DIMENSIONS		
	Inrush VA ~	Hold VA ~		D mm	E mm	F mm
8 W	25	14,5	B	30	42	54
			S	32		
12 W	35	25	U	36	48	60
14 W	43	27	G	52	55	67

ODE

30-06-2002